



## Design: Oscar Daniel and Emil Marklund

Swedish designers Oscar Daniel and Emil Marklund have collaborated on several lighting projects, and worked on the development of Trace as a team. Both have degrees in industrial design from prominent Swedish universities.

## Safety message

### ENGLISH

If the external flexible cable or cord of this luminaire is damaged, it shall be exclusively replaced by the manufacturer or his service agent or a similar qualified person in order to avoid a hazard.

### FRANÇAIS

Si le câble ou le fil flexible externe de ce luminaire est endommagé, seuls le fabricant, son agent ou un technicien approuvé par l'usine sont autorisés à le remplacer afin d'éviter tout danger.

### ESPAÑOL

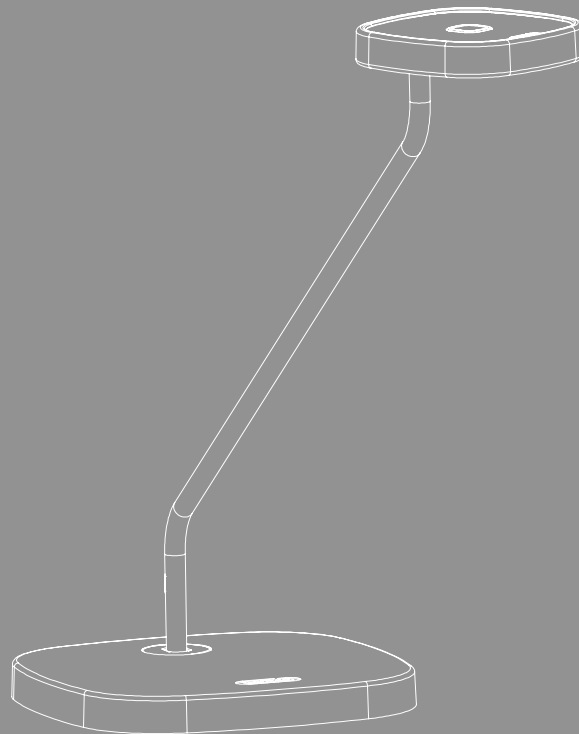
Si el exterior del cable flexible o el cable de esta lampara está dañado, se sustituye exclusivamente por el fabricante, su agente de servicio o similar persona cualificada con el fin de evitar un peligro.

### NORSK

Hvis lampens ledning skades skal den kun erstattes av produsent, forhandler eller kvalifisert personell for å unngå fare.

### SVENSKA

Om lampans ledning skadas skall den ersättas av producent eller av auktoriserad person för att undgå fara.



Trace

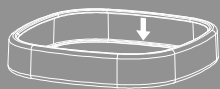
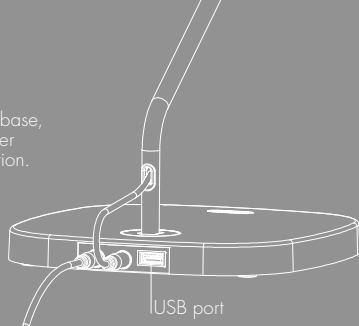
6W LED



Art.no.: 05-900-721-00  
BRU-303-0121  
Rev. no.: 01

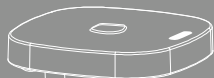
### USB charger version

Connect the lamp to the table base, and the table base to the power supply, as shown in the illustration.



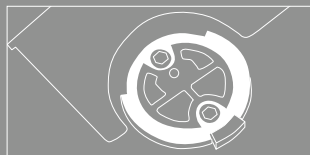
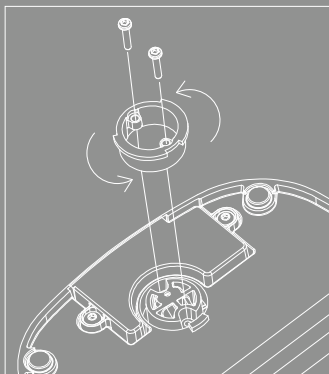
### Optional décor ring

To fasten the décor ring to the lamp head, insert from above and press into place in the direction of the arrow.

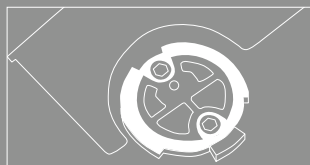


### Lockable arm

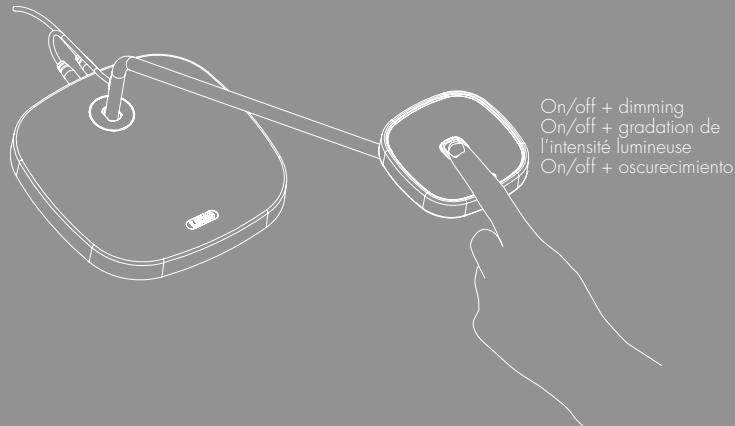
Fasten the bushing in position 1: The lamp arm is locked  
Fasten the bushing in position 2: The lamp arm is free to swing 120°



Position 1 (seen from underneath)



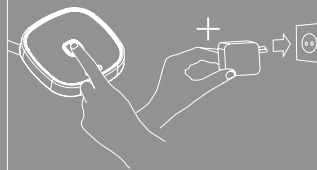
Position 2 (seen from underneath)



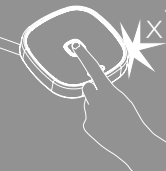
### 4 HOURS AUTO SHUT-OFF

To change from 9 hours (standard) to 4 hours auto shut-off:

- 1 Press and hold the switch while you plug in the light



- 2 Light pulsates one time for confirmation



### 9 HOURS AUTO SHUT-OFF

To change from 4 hours to 9 hours auto shut-off:

- 1 Press and hold the switch while you plug in the light



- 2 Light pulsates two times for confirmation

